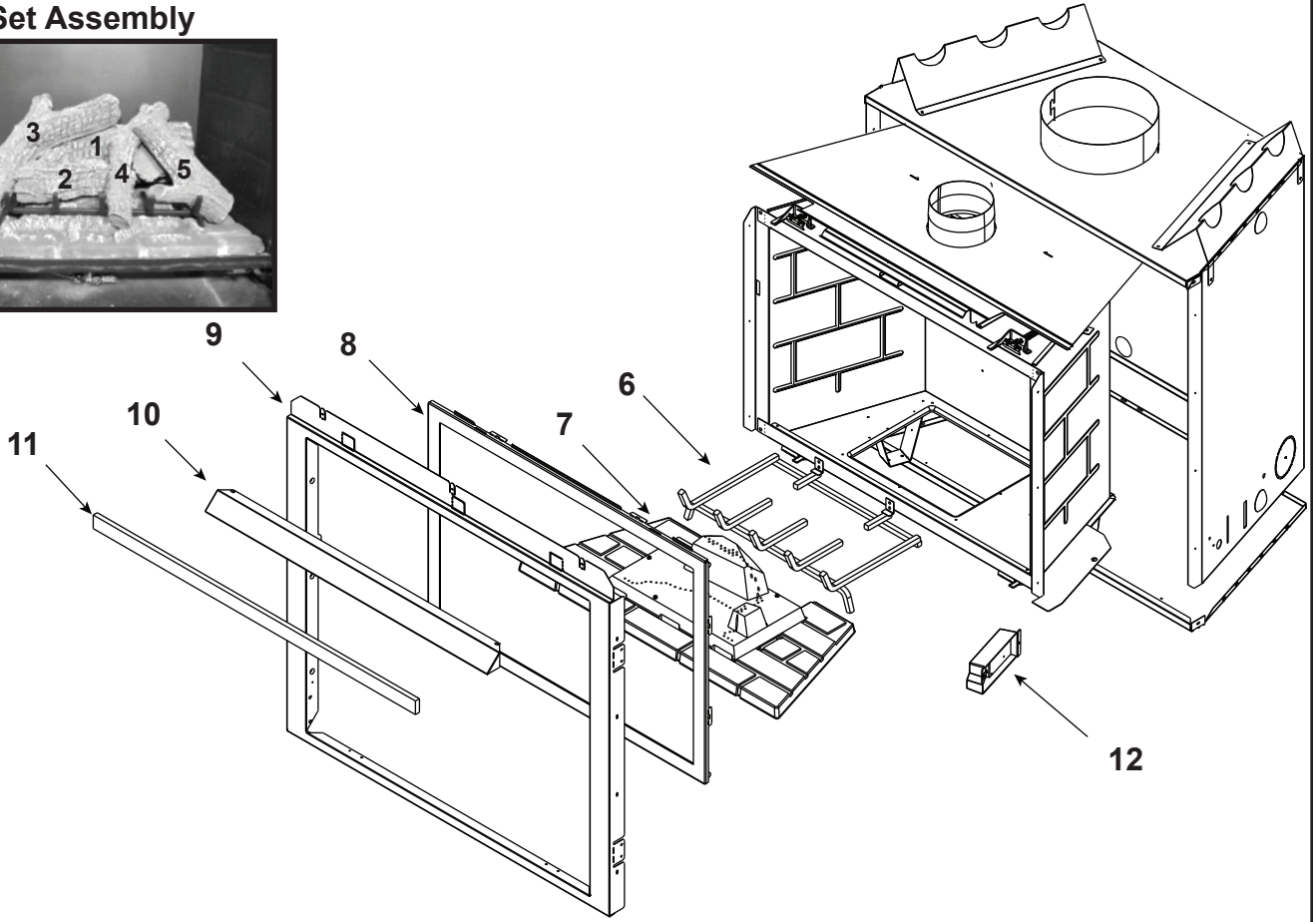


### Log Set Assembly



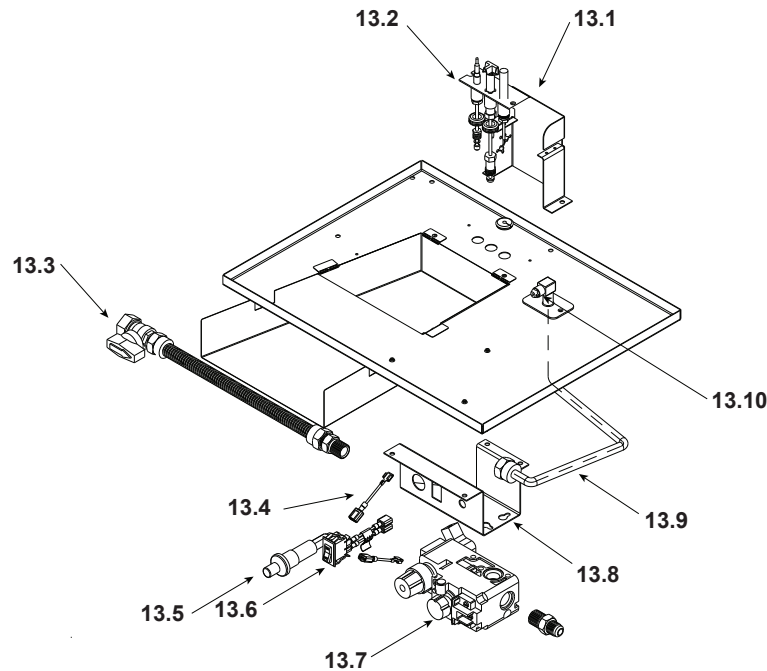
IMPORTANT: THIS IS DATED INFORMATION. Parts must be ordered from a dealer or distributor. **Hearth and Home Technologies does not sell directly to consumers.** Provide model number and serial number when requesting service parts from your dealer or distributor.



**Stocked at Depot**

| ITEM | DESCRIPTION         | COMMENTS   | PART NUMBER  |   |
|------|---------------------|--|--------------|---|
|      | Log Set Assembly    |  | LOGS-6OAK    | Y |
| 1    | Log 1               | <b>No longer available, Must order complete assembly</b> | SRV385-720   |   |
| 2    | Log 2               |  | SRV385-724   |   |
| 3    | Log 3               |  | SRV385-721   |   |
| 4    | Log 4               |  | SRV385-723   |   |
| 5    | Log 5               |  | SRV385-722   |   |
| 6    | Grate Assembly      |  | SRV383-360A  |   |
| 7    | Burner NG, LP       |  | SRV2025-007A |   |
| 8    | Glass Door Assembly |  | GLA-6TROC    | Y |
| 9    | Surround            | <b>No longer available</b>                               | 385-130      |   |
|      |                     | <b>No longer available</b>                               | 2026-108     |   |
| 10   | Hood                |  | SRV60-143-BK |   |
| 11   | Combustion Board    |  | 385-401      |   |
| 12   | Junction Box        | Pre 002324021  | 100-250A     | Y |
|      |                     | Post 002324021   | SRV4021-013  | Y |

### #13 Valve Assembly



IMPORTANT: THIS IS DATED INFORMATION. Parts must be ordered from a dealer or distributor. **Hearth and Home Technologies does not sell directly to consumers.** Provide model number and serial number when requesting service parts from your dealer or distributor.



**Stocked at Depot**

| ITEM  | DESCRIPTION              | COMMENTS       | PART NUMBER |   |
|-------|--------------------------|----------------|-------------|---|
| 13.1  | Pilot Bracket            |                | 385-164     |   |
| 13.2  | Pilot Assembly NG        |                | 4021-736    | Y |
|       | Pilot Assembly LP        |                | 4021-737    | Y |
|       | Pilot Tube               |                | SRV485-301  | Y |
|       | Thermocouple             |                | 446-511     | Y |
|       | Thermopile               |                | 2103-512    | Y |
| 13.3  | Flex Ball Valve Assembly |                | SRV302-320  | Y |
| 13.4  | Wire Assembly            |                | 049-552A    | Y |
| 13.5  | Piezo Ignitor            |                | 291-513     | Y |
| 13.6  | On/Off Rocker Switch     |                | 060-521A    | Y |
| 13.7  | Valve NG                 |                | 060-522     | Y |
|       | Valve LP                 |                | 060-523     | Y |
| 13.8  | Valve Bracket            | Pre 002324021  | 550-169     |   |
|       |                          | Post 002324021 | 2025-101    |   |
| 13.9  | Flexible Gas Connector   | Pre 002324021  | 477-301A    | Y |
|       |                          | Post 002324021 | 383-302A    | Y |
| 13.10 | Orifice NG (#40C)        |                | 582-840     | Y |
|       | Orifice LP (#53C)        |                | 582-853     | Y |

Additional service part numbers appear on following page.

No one builds a better fire

Beginning Manufacturing Date: April 2001

Ending Manufacturing Date: Sept 2006

IMPORTANT: THIS IS DATED INFORMATION. Parts must be ordered from a dealer or distributor. **Hearth and Home Technologies does not sell directly to consumers.** Provide model number and serial number when requesting service parts from your dealer or distributor.



Stocked at Depot

| ITEM | DESCRIPTION            | COMMENTS            | PART NUMBER     |   |
|------|------------------------|---------------------|-----------------|---|
|      | 80" Wire Assembly      |                     | 522-503A        | Y |
|      | Decorative Front       |                     | DF-6000         |   |
|      | Fan                    |                     | GFK-160A        |   |
|      | Glass Latch Assembly   | Pkg of 2            | 386-122A/2      | Y |
|      | High Temp Limit Switch |                     | SRV4021-383     | Y |
|      | Mesh Assembly          |                     | MESH-6000       | Y |
|      | Mineral Wool           |                     | 050-721         |   |
|      | Remote                 |                     | SMART -STAT-HNG |   |
|      | Touch Up Paint         |                     | TUP-GBK-12      |   |
|      | Vermiculite Embers     |                     | MYSTIC-EMBERS   |   |
|      |                        |                     |                 |   |
|      |                        |                     |                 |   |
|      |                        |                     |                 |   |
|      |                        |                     |                 |   |
|      |                        |                     |                 |   |
|      |                        |                     |                 |   |
|      |                        |                     |                 |   |
|      |                        |                     |                 |   |
|      |                        |                     |                 |   |
|      |                        |                     |                 |   |
|      |                        |                     |                 |   |
|      |                        |                     |                 |   |
|      |                        |                     |                 |   |
|      |                        |                     |                 |   |
|      |                        |                     |                 |   |
|      |                        |                     |                 |   |
|      |                        |                     |                 |   |
|      |                        |                     |                 |   |
|      |                        |                     |                 |   |
|      |                        |                     |                 |   |
|      |                        |                     |                 |   |
|      |                        |                     |                 |   |
|      |                        |                     |                 |   |
|      |                        |                     |                 |   |
|      |                        |                     |                 |   |
|      |                        |                     |                 |   |
|      |                        |                     |                 |   |
|      |                        |                     |                 |   |
|      |                        |                     |                 |   |
|      |                        |                     |                 |   |
|      |                        |                     |                 |   |
|      |                        |                     |                 |   |
|      |                        |                     |                 |   |
|      |                        |                     |                 |   |
|      | Conversion Kit NG      | No longer available | NGK-6TVOC       |   |
|      | Conversion Kit LP      | No longer available | LPK-6TVOC       |   |
|      | Pilot Orifice NG       |                     | SRV446-505      | Y |
|      | Pilot Orifice LP       |                     | SRV446-517      | Y |
|      | Regulator NG           |                     | SRV060-518      | Y |
|      | Regulator LP           |                     | 060-519         | Y |